



ARP-3815AP

Panel Mount Panel PC with 15 inch PCAP Touch Screen

Features

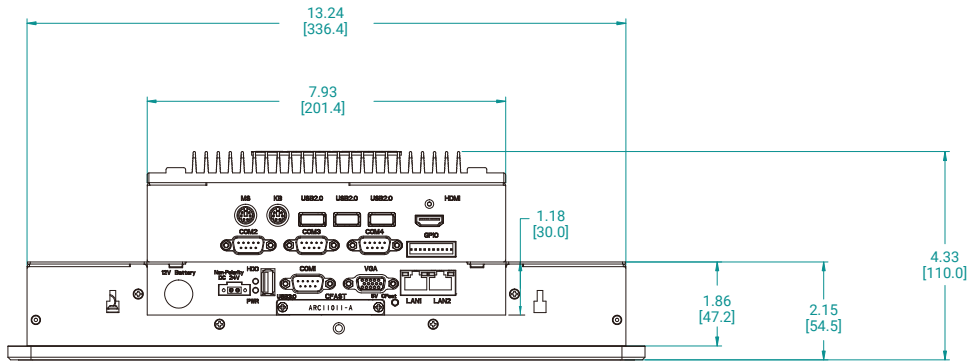
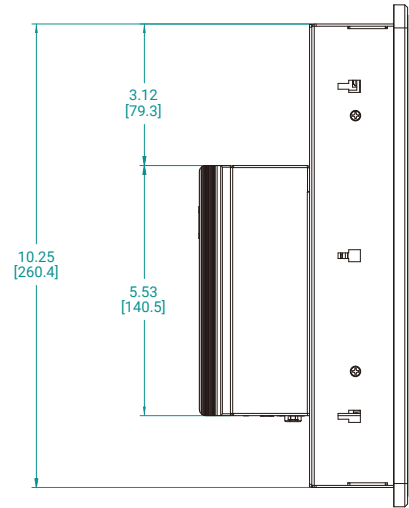
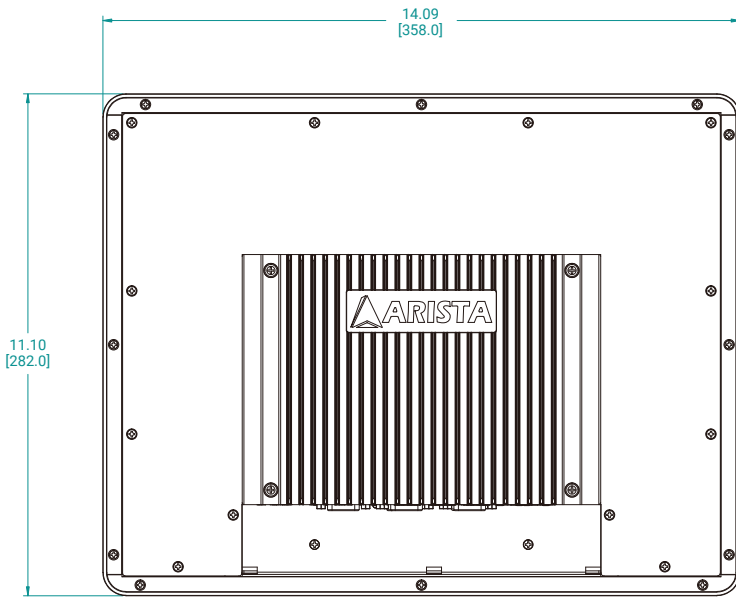
- 15" LCD, 1024 x 768 Resolution
- Projected Capacitive Touch Screen
- Aluminum or Stainless-Steel 316L Flush Bezel
- Intel Celeron J1900 @ 1.99GHz / Atom E3845 @ 1.91GHz CPU; Intel i7-6600U, i5-6300U, Celeron-3855U
- Up to 8GB DDR3/ Up to 16GB DDR4 SO-DIMM
- Optional 2.5" SSD
- Dual Gigabit Ethernet
- 4 x RS-232/422/485 BIOS Selectable
- 1 x 8-bit GPIO (4-bit Input, 4-bit Output)
- 1 x USB 3.0, 3 x USB 2.0 ports

Specifications

Model Name	ARP-3815AP	
	E01	H01
LCD Display		
Display Size (Diagonal)	15.0 inch	15.0 inch
Resolution	1024 x 768	1024 x 768
Backlight Lifetime (Hours)	50,000 hours	50,000 hours
Visual Characteristics		
Colors	16.7 million	16.7 million
Aspect Ratio	4:3	4:3
Viewing Angle (V/H)	140° / 170°	140° / 160°
Contrast Ratio	700 : 1	700 : 1
Brightness	300 nits (Typical)	300 nits (Typical)
Touchscreen		
Technology	Projected Capacitive	Projected Capacitive
Interface	USB	USB
Driver	Windows 7, 8 & 10	Windows 10
Front Bezel		
NEMA 4	Aluminum	Aluminum
NEMA 4x	Stainless Steel 316L(Optional)	Stainless Steel 316L(Optional)
System		
CPU	Intel Celeron J1900 @ 1.99GHz / Atom E3845 @ 1.91GHz CPU	Intel i7-6600U, i5-6300U, Celeron-3855U
Chipset	Bay Trail	SkyLake
Memory	Up to 8GB DDR3 SO-DIMM	Up to 16GB DDR4 SO-DIMM
Video Controller	Intel Gen7 Intel Graphics DX 11, OGL3.2	Intel HD Graphics 520
External Video Output	VGA, HDMI	VGA, HDMI
Storage Option	2.5" SSD	2.5" SSD
CFast Card	Optional	Optional
Keyboard / Mouse	USB / PS2	USB / PS2
Audio	N/A	N/A
Watchdog Timer	Programmable 1 - 255 sec	Yes
Remote Boot	ThinManager Ready, PXE	PXE
Expansion Slot	Mini PCIe x 2	Mini PCIe x 1
I/O Communication		
USB Port	1 x USB 3.0, 3 x USB 2.0	1 x USB 3.0, 3 x USB 2.0
Serial Port	4 x RS-232/422/485 BIOS Selectable	4 x RS-232/422/485 BIOS Selectable
IEEE 1394	N/A	N/A
LAN	2 x Gigabit	2 x Gigabit
Parallel	N/A	N/A
GPIO	4 x DI, 4 x DO	4 x DI, 4 x DO
Smart Battery		
External Smart Battery	Optional	Optional
OS Support		
OS Support	Windows 7, 8 & 10	Windows 10
Power/Thermal Specs		
Power Requirement (Max)	24VDC / 1.3A	24VDC / 1.7A
Power Consumption (Max)	32 W	40W
Recommended Power Supply	45 W	60W
Heat Dissipation	108 BTU/hr	136 BTU/hr
Physical Information		
Mounting	Panel Mount	Panel Mount
Net Weight	12 Lbs / 5.44 Kg	12 Lbs / 5.44 Kg
Dimension (W x H x D)	14.09 x 11.10 x 4.33 inch 358.0 x 282.0 x 110.0 mm	14.09 x 11.10 x 4.33 inch 358.0 x 282.0 x 110.0 mm
Recommended Cutout Dimension (WxH)	13.44 x 10.45 inch 341.4 x 265.4 mm	13.44 x 10.45 inch 341.4 x 265.4 mm
IP/NEMA Rating	Bezel meets NEMA 4/4X requirement	Bezel meets NEMA 4/4X requirement
Certification	UL 61010	UL 61010
Environmental		
Operating Temperature	0~50°C (32~122°F)	0~50°C (32~122°F)
Storage Temperature	-20~60°C (-4~140°F)	-20~60°C (-4~140°F)
Relative Humidity	0~95%	0~95%

Dimension Drawing

ARP-3815AP-E01
 ARP-3815AP-H01
 Size Unit: inch(mm)



Ordering Information

Item	ARP-3815AP-E01-003	ARP-3815AP-E01-007
LCD Display	15.0" LCD / 1024 x 768	15.0" LCD / 1024 x 768
Touch Screen	Projected Capacitive	Projected Capacitive
Bezel	Aluminum	Stainless Steel 316L
CPU	Intel Celeron J1900 @ 1.99GHz / Atom E3845 @ 1.91GHz CPU	Intel Celeron J1900 @ 1.99GHz / Atom E3845 @ 1.91GHz CPU
Memory	4GB DDR3	4GB DDR3
Storage	N/A	N/A
Remote Boot	ThinManager Ready	ThinManager Ready
Power Supply	110/220VAC Input DIN-Rail	110/220VAC Input DIN-Rail

Item	ARP-3815AP-E01-031	ARP-3815AP-E01-035
LCD Display	15.0" LCD / 1024 x 768	15.0" LCD / 1024 x 768
Touch Screen	Projected Capacitive	Projected Capacitive
Bezel	Aluminum	Stainless Steel 316L
CPU	Intel Celeron J1900 @ 1.99GHz / Atom E3845 @ 1.91GHz CPU	Intel Celeron J1900 @ 1.99GHz / Atom E3845 @ 1.91GHz CPU
Memory	8GB DDR3	8GB DDR3
Storage	2.5" SATA SSD	2.5" SATA SSD
Remote Boot	N/A	N/A
Power Supply	110/220VAC Input DIN-Rail	110/220VAC Input DIN-Rail

Item	ARP-3815AP-H01-031-700	ARP-3815AP-H01-035-700
LCD Display	15.0" LCD / 1024 x 768	15.0" LCD / 1024 x 768
Touch Screen	Projected Capacitive	Projected Capacitive
Bezel	Aluminum	Stainless Steel 316L
CPU	i7-6600U	i7-6600U
Memory	16GB DDR4	16GB DDR4
Storage	2.5" SATA SSD	2.5" SATA SSD
Remote Boot	N/A	N/A
Power Supply	110/220VAC Input DIN-Rail	110/220VAC Input DIN-Rail

ARP-3800AP Series stainless Steel front bezel is made of Stainless Steel 316L and corrosion free against Cleaning Agents and Solvents used in Pharmaceutical industry listed below:

- **Isopropyl alcohol:** Used for cleaning equipment and surfaces due to robust decreasing and disinfection properties.
- **Hydrogen peroxide (50% and 100%):** Used for cleaning and disinfection, as well as the removal of microorganisms in aseptic environments.
- **Acetone:** Used for removing residues insoluble in water. This product is ideal for equipment cleansing.
- **Ethanol:** A common disinfectant frequently used for decontaminating surfaces and equipment.
- **Citric acid:** Used for cleaning stainless steel equipment, removing mineral deposits, and cleansing surfaces.
- **Sodium bicarbonate:** Used for cleaning sensitive surfaces and equipment where more abrasive agents may cause damage.